

**VORTEX COOLERS INDOOR/OUTDOOR**

**INDUSTRY STANDARDS**
**NEMA Type 4 Models:**

Maintains UL/cUL Type 4 when properly installed on a UL/cUL Type 4 enclosure.

UL508 Listed; Type 4; File No. E187045

**NEMA Type 4X Models:**

Maintains UL/cUL Type 4X when properly installed on a UL/cUL Type 4X enclosure.

UL508 Listed; Type 4X; File No. E187045

**NEMA Type 12 Models:**

Maintains UL/cUL Type 12 when properly installed on a UL/cUL Type 12 enclosure.

UL508 Listed; Type 12; File No. E187045

**APPLICATION**

Powered by compressed air, Vortex Cooling Systems generate chilled air to cool small enclosures without refrigerants or moving parts. These systems are exceptionally reliable and low maintenance, even in the harshest and dirtiest environments.

**FEATURES**

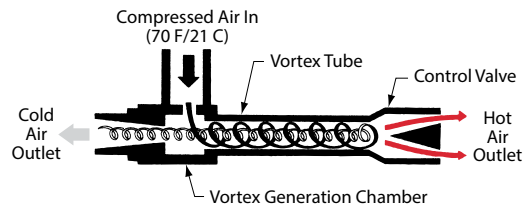
- Five-micron airline filter, 115 V solenoid
- Thermostat
- Ducting kit
- Cooling capacities to 2500 BTU/Hr. (733 W)

**FINISH**

Brushed satin aluminum or stainless steel

**ACCESSORIES**

Vortex Cooling Oil Filters



**Vortex Tube Air Flow Schematic**

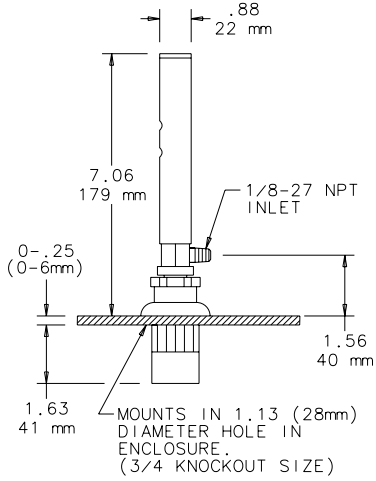
Performance Data VC Series NEMA Type 12

<b>CATALOG NUMBERS</b>				
Aluminum	VC0416012	VC0916012	VC1516012	VC2516012
<b>COOLING PERFORMANCE</b>				
Cooling Capacity (BTU/Hr.)	<b>400</b>	<b>900</b>	<b>1500</b>	<b>2500</b>
Cooling Capacity (Watts)	<b>117</b>	<b>264</b>	<b>440</b>	<b>733</b>
Compressed Air Consumption (SCFM)	8	15	25	35
Compressed Air Consumption (L <sup>3</sup> /M)	227	425	708	991
<b>SOUND LEVEL</b>				
Noise Level (dB)	69	80	83	90
<b>ENCLOSURE PROTECTION</b>				
UL Type	Type 12			
<b>ELECTRICAL DATA</b>				
Rated Voltage	<b>115</b>	<b>115</b>	<b>115</b>	<b>115</b>
Frequency (Hz)	50/60	50/60	50/60	50/60
<b>UNIT DIMENSIONS</b>				
Weight (lb./kg)	5/2.27	6/2.72	6/2.72	6/2.72

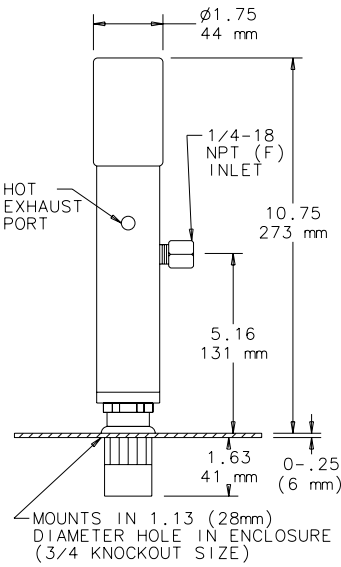
Performance Data VC Series NEMA Type 4, 4X

<b>CATALOG NUMBERS</b>			
Aluminum	VC0916004	VC1716004	VC2516004
Stainless Steel	VC091604X	VC171604X	VC251604X
<b>COOLING PERFORMANCE</b>			
Cooling Capacity (BTU/Hr.)	<b>900</b>	<b>1700</b>	<b>2500</b>
Cooling Capacity (Watts)	<b>264</b>	<b>498</b>	<b>733</b>
Compressed Air Consumption (SCFM)	15	25	35
Compressed Air Consumption (L <sup>3</sup> /M)	425	708	991
<b>SOUND LEVEL</b>			
Noise Level (dB)	83	86	90
<b>ENCLOSURE PROTECTION</b>			
UL Type	Type 4, 4X		
<b>ELECTRICAL DATA</b>			
Rated Voltage	<b>115</b>	<b>115</b>	<b>115</b>
Frequency (Hz)	50/60	50/60	50/60
<b>UNIT DIMENSIONS</b>			
Weight (lb./kg)	6/2.72	6/2.72	6/2.72

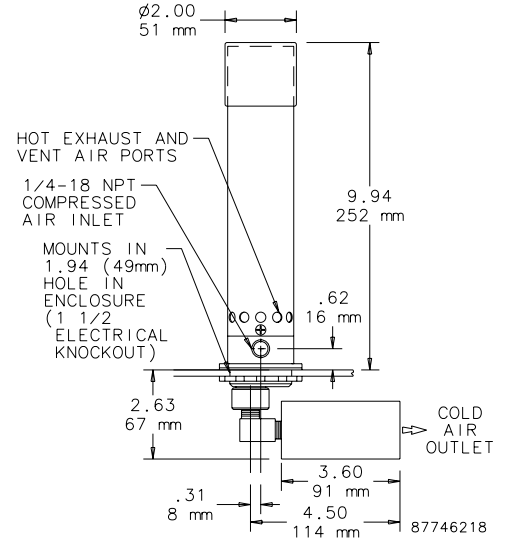
NEMA Type 12 - 400 BTU/Hr.



NEMA Type 12 - 900, 1500, 2500 BTU/Hr.

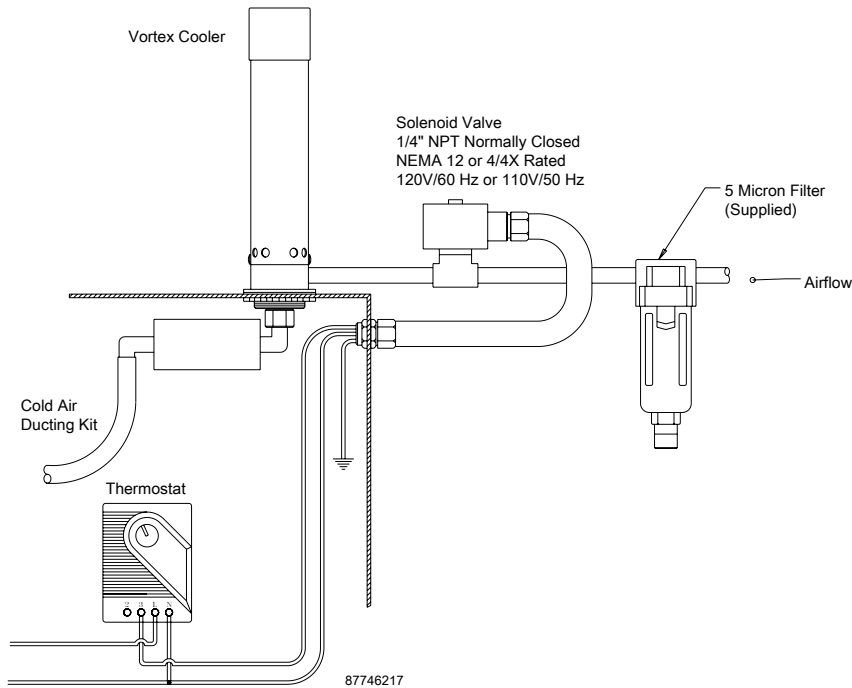


NEMA Type 4X 900, 1700, 2500 BTU/Hr.



ENCLOSURE COOLER MUST REMAIN IN A VERTICAL ORIENTATION TO MAINTAIN NEMA 4/4X RATINGS.

Typical Installation



**VORTEX COOLING OIL FILTERS**



- .01 micron oil removal filter with automatic condensate drain
- Polycarbonate bowl with metal bowl guard
- 125 F (52 C) maximum temperature
- 150 psig maximum pressure

CATALOG NUMBER	Use with Model Capacity	SCFM	Ports
VCOF17	Up to 1500 BTU/Hr.	25	3/8 NPT
VCOF25	Up to 5000 BTU/Hr.	70	1/2 NPT